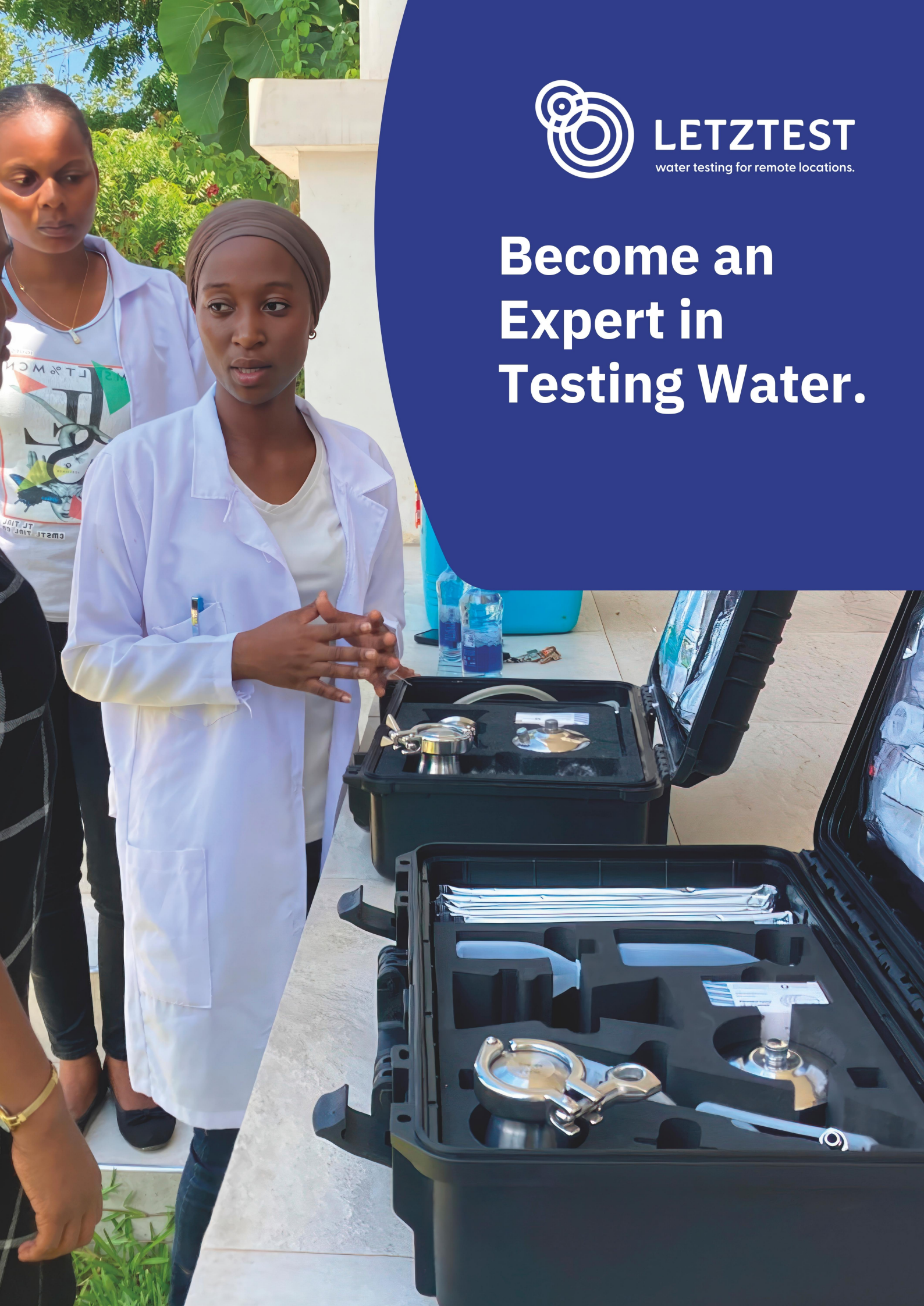




**LETZTEST**

water testing for remote locations.

**Become an  
Expert in  
Testing Water.**



## „Making Water Quality Testing an easy Experience in remote Locations around the World!“

This is our commitment as a German manufacturer of water testing kits and an international team of water quality experts.



## Our Solutions

We have developed cost-effective, easy-to-use water quality testing equipment and laboratory trainings. Both are perfectly tailored to the needs of stakeholders in remote areas.



## Innovative Water Testing Products

LETZTEST equipment is of highest quality, designed to make water quality monitoring easy and efficient for end users.



# LETZTEST Products have been specially designed for their Use in remote Areas.

It is often overlooked and underestimated that remote settings require special solutions. Water testing in regions with limited infrastructure often fails due to inadequate equipment. Our products are designed to remove the hurdles and make water testing easy and pleasant.



## Easy to operate

Simple and quick processes help to avoid mistakes and false results.



## Unbreakable

The unmatched robustness of LETZTEST kits means you can test continuously – no more waiting for spares.



## Electricity-free

Test or incubate samples independent of electricity and free of battery with our worldwide unique incubator.



## Cost-efficient

You need only few low-cost and longlasting consumables which saves you time and costs.



## Portable

Transport your equipment easily and ensure flexibility when covering your testing area.



## Eco-friendly

With our products you can test environmentally friendly with less toxic reagents.

## One Community – one Mission

Together with international Partners, LETZTEST acts globally towards the mission of ensuring sustainable water monitoring in remote locations.



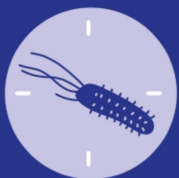
**LETZTEST**  
water testing for remote locations.

## Lasting Solutions made in Germany

Robustness, independence, reliability and simplicity are the essential ingredients for equipment, when it comes to successful and continuous water testing activities in remote locations. We focus on these factors and provide you with products that fulfill their task under harsh conditions.

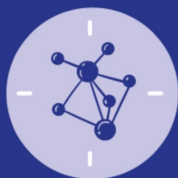


### Jump to your product category:



#### Microbiological Testing – MT

Equipments used to detect faecal indicator bacteria in water samples, such as the priority parameter E. coli.



#### Physico-chemical Testing – PC

Equipments used to detect physico-chemical parameters in water samples, such as Chlorine, Fluoride, Nitrate, and many more.



#### Custom-Lab Boxes – CL

Fully equipped Labs with suitable equipment and additional tools to run a water laboratory in remote locations.



#### Consumables of all categories

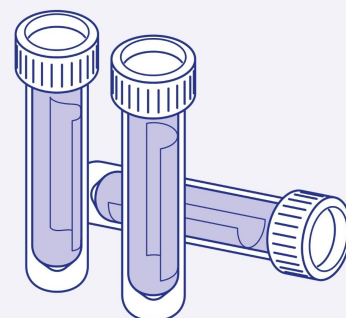
Reorder consumables for your LETZTEST.equipment. Please contact us.

## Microbiological Testing

### MT LETZTEST - Test Tube

Art. No.: 116498 (English), 1017 (French), 1018 (Spanish)

An easy-to-use presence/absence test for detecting fecal bacteria in water samples. The presence of fecal bacteria in water is a clear indication of contamination from human or animal excrement, which carries a high risk of pathogenic microorganisms causing severe waterborne diseases (e.g. Cholera). Monitoring fecal bacteria is crucial to ensure safe drinking water and safeguard public health. According to the World Health Organization (WHO) drinking water guidelines, safe water must not contain any fecal indicator bacteria. (Reference: WHO Guidelines for Drinking-water Quality, Fourth Edition, 2011, page 36)''



## MT LETZTEST - Household Water Test Kit

Art. No.: 113858 (English), 118183 (French), 118185 (Spanish)

The Household Water Test Kit is an educational presence/absence test kit, protected by patent office, which detects bacteria of fecal origin in drinking water. It is used in particular in the context of community and household awareness raising operations: possible contamination between an improved water source, serving good quality water, and the point of consumption at household level can be discussed. Content of a kit: (i) LETZTEST - Test Tubes, 15 pcs ; (ii) Drinking water quality education booklet illustrating the links between fecal contamination of drinking water and diseases ; (iii) and more ...



## MT LETZTEST - Portable Membrane Filtration Kit

Art. No.: 115433 (English), 118193 (French), 1155 (Arabic), 118197 (Spanish)

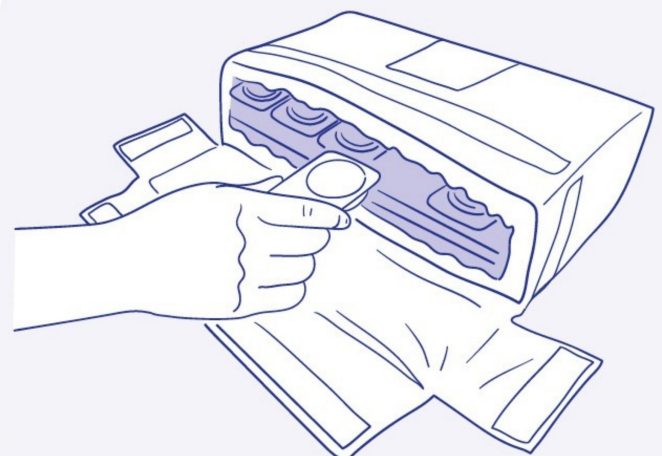
This portable Membrane Filtration Kit quantifies *E.coli* and other fecal indicator bacteria per 100 mL in water samples following DIN EN ISO 9308-1, even in the most remote locations in the field or for mobile laboratories. The presence of the priority parameter in water *E.coli*, is a clear indication of contamination from human or animal excrement, which carries a high risk of pathogenic microorganisms causing severe waterborne diseases (e.g. Cholera). Monitoring fecal bacteria is crucial to ensure safe drinking water and safeguard public health. According to the World Health Organization (WHO) drinking water guidelines, safe water must not contain any *E.coli* bacteria per 100 ml sample volume. (Reference: WHO Guidelines for Drinking-water Quality, Fourth Edition, 2011, page 36)"



## MT LETZTEST - Portable Electricity-Free Incubator 37°C

Art. No.: 115178

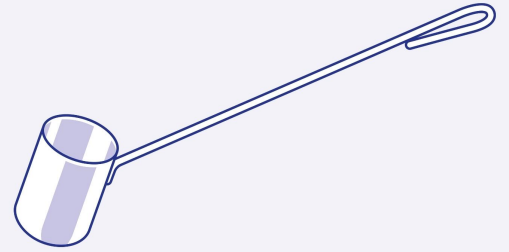
The game-changing incubator from LETZTEST – the world's first and patent office protected solution to incubate water samples without electricity! Say goodbye to troublesome electrical or battery-powered incubators. This lightweight and compact incubator is completely independent of electricity and batteries, providing a reliable way to test water quality in regions with unstable power supply. LETZTEST's incubator is a revolutionary product that makes water quality testing in remote locations more practical and easier than ever before. Together with our Portable Membrane Filtration Kit, the LETZTEST Incubator forms a portable Laboratory for microbiological testing.



## MT LETZTEST - Water Sampler

Art. No.: 117952

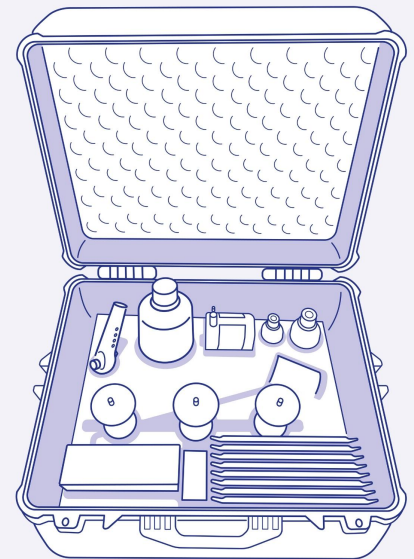
This water sampler, made of pharmaceutical-grade stainless steel, is perfect for collecting water samples for microbiological analysis from hard-to-reach areas where direct sampling into a bottle or bag is not possible, such as wells or storage tanks. It's easy to sterilize, transport, and use; simply attach a rope to collect samples from wells or similar locations. Its unparalleled quality and robustness ensures it will last for more than 100 years without rusting.



## MT LETZTEST - Laboratory Membrane Filtration Kit

Art. No.: 1094

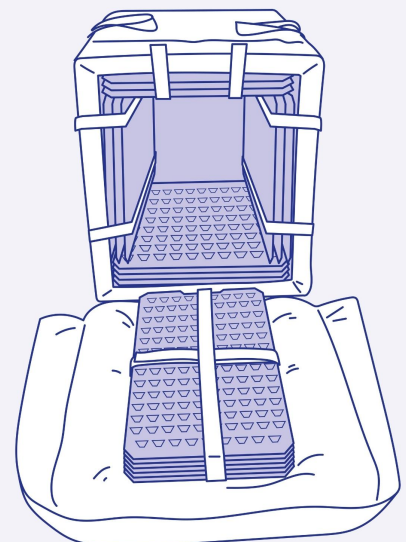
A complete and professional microbiological water laboratory, capable of processing very large amounts of samples per day to quantify E. coli and other fecal indicator bacteria per 100 ml in water samples following DIN EN ISO 9308-1. The kit is perfect for central water labs to set up punctual time- and cost-efficient project laboratories in remote locations with large amounts of samples per day. For optimal results, use with the LETZTEST Big Electricity-Free Incubator. According to the World Health Organization (WHO) drinking water guidelines, safe water must not contain any E.coli bacteria per 100 ml sample volume. (Reference: WHO Guidelines for Drinking-water Quality, Fourth Edition, 2011, page 36)"



## MT LETZTEST - Big Electricity-Free Incubator 37°C

Art. No.: 1163

The game-changing incubator from LETZTEST is now available in a large size, making it possible to incubate more than 100 microbiological water samples at once. It is the world's first and patent office protected solution for incubating water samples without electricity. Say goodbye to troublesome electrical or battery- powered incubators. This robust incubator is completely independent of electricity and batteries, providing a reliable way to test water quality in regions with unstable power supply. LETZTEST's incubator is a revolutionary product that makes water quality testing in remote locations more practical and easier than ever before.

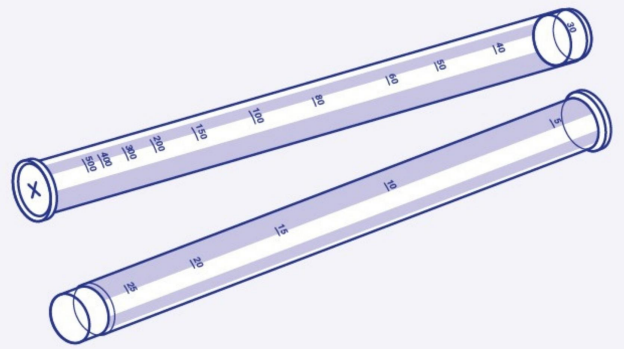


## Physico Chemical Testing

### PC Turbidity Tube

Art. No.: 117402

Simple, Safe and Independent. A very practical and very easy to use tool for visual measurement of water turbidity which is very often convincing in practice. Measuring Turbidity is an essential test prior to water treatment by chlorination (Note: Chlorine is an effective disinfectant where water turbidity is below 5 NTU) and in ongoing water quality monitoring.



### PC Visual Color Comparator Test pH and Chlorine

Art. No.: 118311

The Visual Color Comparator Test is an easy to use tool for measuring free/residual chlorine, total chlorine and pH (acidity) of water samples which is very often convincing in practice. Why measuring chlorine and pH? In many cases testers want to know if a water was disinfected or if the residual chlorine (=free chlorine) level is still sufficient to protect the drinking water from recontamination. The ideal level of free-residual chlorine is said to be 0,2-0,5 mg/L. Disinfection with chlorine is more effective at a pH value below 7,5.



### PC LETZTESTER – Ultimate Visual Color Comparator Kit

Art. No.: 1164

The LETZTESTER Kit is an easy to use and comprehensive tool for measuring Alkalinity | Aluminum | Ammonia | Chloride | Chlorine free and total | Copper | Colour | Fluoride | Iron | Manganese | Nitrate | Nitrite | pH | Phosphate | Total Hardness and many more parameters. Priority parameters defined by the WHO to monitor easily with this kit are for example: (i) Residual Chlorine: Ensures water is disinfected and safe from disease causing bacteria of fecal origin. Ideal level is 0.2-0.5 mg/L. Chlorination of water systems is more efficient at pH < 7.5 and turbidity < 5 NTU. (ii) Fluoride: Watch for teeth mottling at 1.5-4 mg/L, or skeletal fluorosis at > 4 mg/L. WHO limit: 1.5 mg/L. (iii) Nitrate: High levels harm infants and pregnant women, causing “blue baby syndrome” and birth defects. WHO limit: 50 mg/L. (iv) Manganese: Affects water’s taste, odor, and appearance. Can lead to water rejection by consumers. WHO limit: 0.4 mg/L.



## PC Visual Arsenic Test Kit

Art. No.: 489218

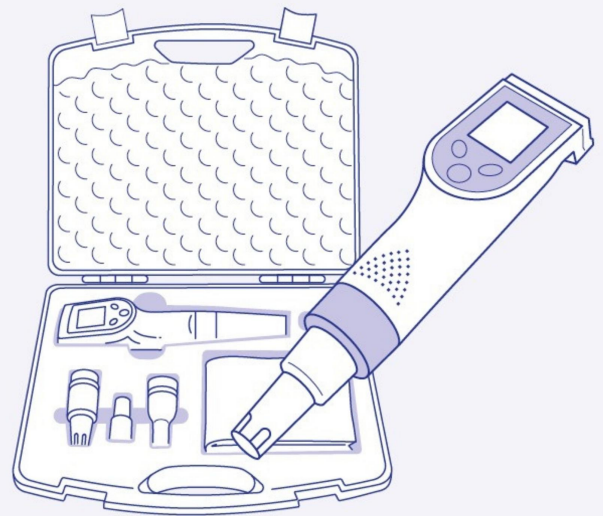
The visual arsenic test kit offers the best value on the market. Based on the latest technology, our test kit delivers accurate results in just a few minutes without requiring any technical expertise. Straight forward and safe to use, easy to store and easy to transport, it's the perfect choice for remote locations. Arsenic (As) is a toxic semimetal which. It is mostly natural in groundwater and some surface waters. It solves from rocks where it is present. Long-term ingestion of arsenic-contaminated water can have severe and potentially deadly effects on the human body. The health consequences of arsenic poisoning depend on the level and duration of exposure. The WHO limit value in drinking water is 0.01 mg/l.



## PC LETZTEST Multimeter pH | Cond | Sal | ORP | Temp

Art. No.: 117402

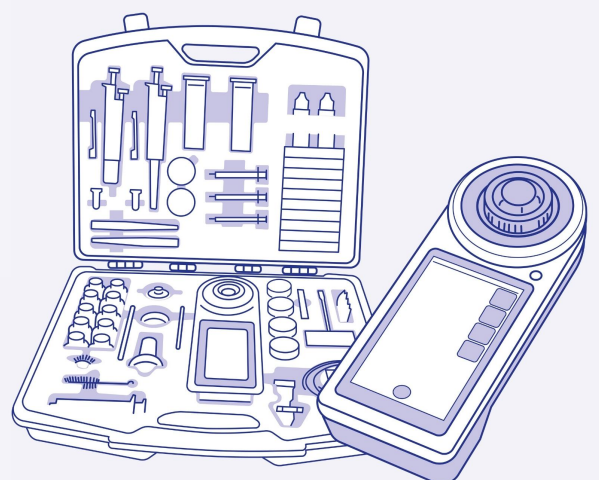
The LETZTEST Multimeter measures various parameters in a very easy way. Furthermore it withstands harsh conditions such as very high temperatures without showing any problems. It works quickly and is well suited for the use in remote locations. It uses standard buffer reagents for calibration which you find almost everywhere.



## PC LETZTEST Photometer Kit 2.0

Art. No.: 1166

Revolutionizing Photometry: 18 Wavelengths, 140+ Parameters, 5.5" Colour HD touch Display, Unparalleled Accuracy, and Spectrophotometer-Level Performance. Seamlessly Mobile and Robust, Connecting Effortlessly to Smartphones, Tablets, Computers, for Advanced Data Management. Using the same reagents as the LETZTEST Ultimate Visual Color Comparator Kit this Photometer Kit will bring your water testing activities in remote locations to another level.

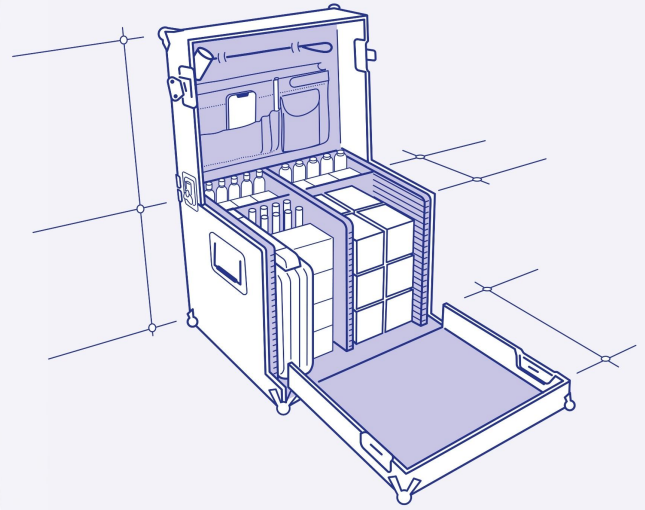




## Custom Your Laboratory Box

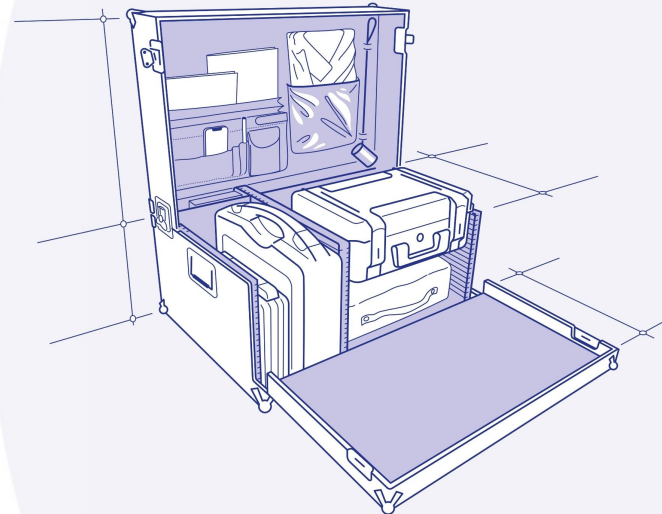
### CL Water Lab Box Basic

Introducing the Mobile Lab Box Basic, a game-changing solution for remote water laboratory projects. It provides a fully equipped and user-friendly water laboratory for remote areas, designed for those with limited prior experience. This all-in-one box streamlines water quality monitoring with the right equipment, sample collection tools, and essential components. It also simplifies data management and offers direct technical support through QR codes. This innovation aims to engage remote communities as vital partners in addressing water-related challenges.



### CL Water Lab Box Advanced

Introducing the groundbreaking solution for remote water laboratories - a fully equipped Lab-in-a-Box designed for advanced end-users. This compact system simplifies water quality monitoring with suitable equipment, comprehensive components, and user-friendly tools. It's ideal for field, temporary, or fixed laboratory use and includes features like sanitary inspection sheets, quality assurance documents, easy data management, and QR-Codes for direct technical support. This innovation supports central water laboratories in setting up cost-effective mobile project labs in remote areas, empowering local communities to play a crucial role in addressing water-related challenges.



## Professional Trainings

You want to establish a water laboratory in a remote location? Our consultancy and coaching programs will support you in using your resources effectively and profitably for the long term. We address institutions and organizations with existing organizational structures.



# Water Laboratory A-Z Coachings

Overcome the challenges and complexities of establishing a successful water laboratory in remote locations! With over 12 years of practical experience, we have developed a comprehensive training program that addresses all critical success factors, including management training which is fundamental for success.



## Trustworthy and profitable

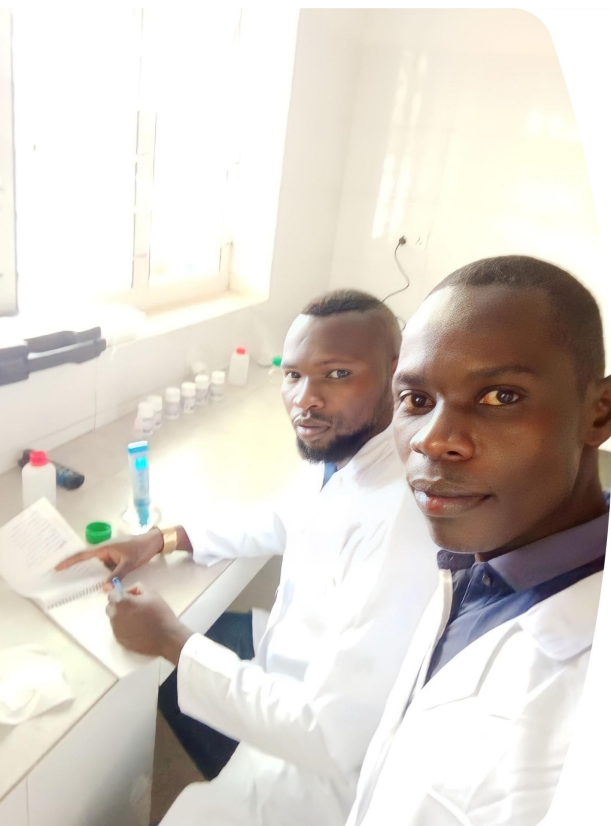
At the heart of our program is our commitment to making a difference and putting your resources to work effectively for the people who need safe drinking water. We will support you efficiently to create the right foundation for DIN EN ISO 17025 accreditation from the beginning, so you can operate a trustworthy laboratory with valid data. By establishing the right foundation from the beginning, we can help you achieve long-term success and profitability.



**1 The essential groundwork**  
Laying the foundation for your success is crucial: We start with the managers! With Leadership training, we cover the necessary laboratory room planning, the required organizational structure, financial planning as well as local peculiarities.

**2 The Technical decisions**  
Choose the right equipment which suits your specific needs as defined in Phase I.

**3 The Implementation**  
Let's do the practical work: Start implementing! Get technically trained to master and maintain your equipment. Receive the right tools to develop and operate a successful Quality- and Data-Management System, which ensures the quality of your test results.



## VIP Customer Stories

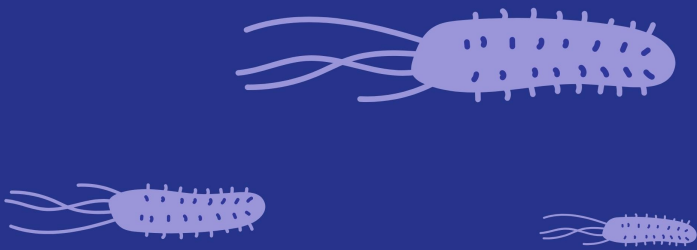
In 2022 LETZTEST provided the Sudanese Ministry of Health with 71 portable microbiological water laboratories. This included 71 Portable Membrane Filtration Kits, 71 Electricity-Free Incubators as well as LETZTEST Stainless Steel Water Samplers. Furthermore, ongoing online training and support was provided. All to Finally make water quality testing for the priority parameter E.coli in off-grid locations in Sudan an easy and cost efficient task for the Sudanese Government and to be able to act in a preventative way against disease outbreaks such as Cholera.



Since 2021 it is a great honor for us to have Dr. Stephane Claon, Director of „Laboratoire d'analyse et de Contrôle de la Qualité de l'Eau“ (LACQUE) of the „Office National de l'Eau Potable“ (ONEP) and his team in Ivory Coast as an active and committed partner. We have learned so many lessons from our direct and real expert exchanges and continue to do so. Not only are our Test Kits being used, but LACQUE actively took part in further developing and improving LETZTEST water testing equipment to make it even more suitable for end-users.

CAAMENIHU is a social enterprise providing affordable access to essential medicines and medical supplies in rural areas of the DRC. In 2020 the decision was taken to set up a drinking water analysis laboratory, aiming to support epidemic prevention efforts in the region. Since 2021 CAAMENIHU has become a close partner. CAAMENIHU has followed the complete LETZTEST Laboratory Coaching and Training Program and was equipped according to their needs. We worked very closely with the organization in its establishment of an economically independent and reliable water laboratory which conforms to international standards. We were glad to hear that CAAMENIHU was contacted by the DRC Government in 2023 to discuss and to take responsibility over water quality testing activities in the region.





**LETZTEST**

water testing for remote locations.

# Know

## your water quality with LETZTEST Water Test Kits!

**Contact us:**

E-Mail: [info@letz-test.com](mailto:info@letz-test.com)

Phone / WhatsApp:

+49 (0) 157 896 275 36

**Location:**

Gottfried-Hagen Str. 60-62

51105 Cologne

Germany

 Simplicity in  
highest quality  
made in Germany



View all products on  
our new website

**[letztest.com](http://letztest.com)**

